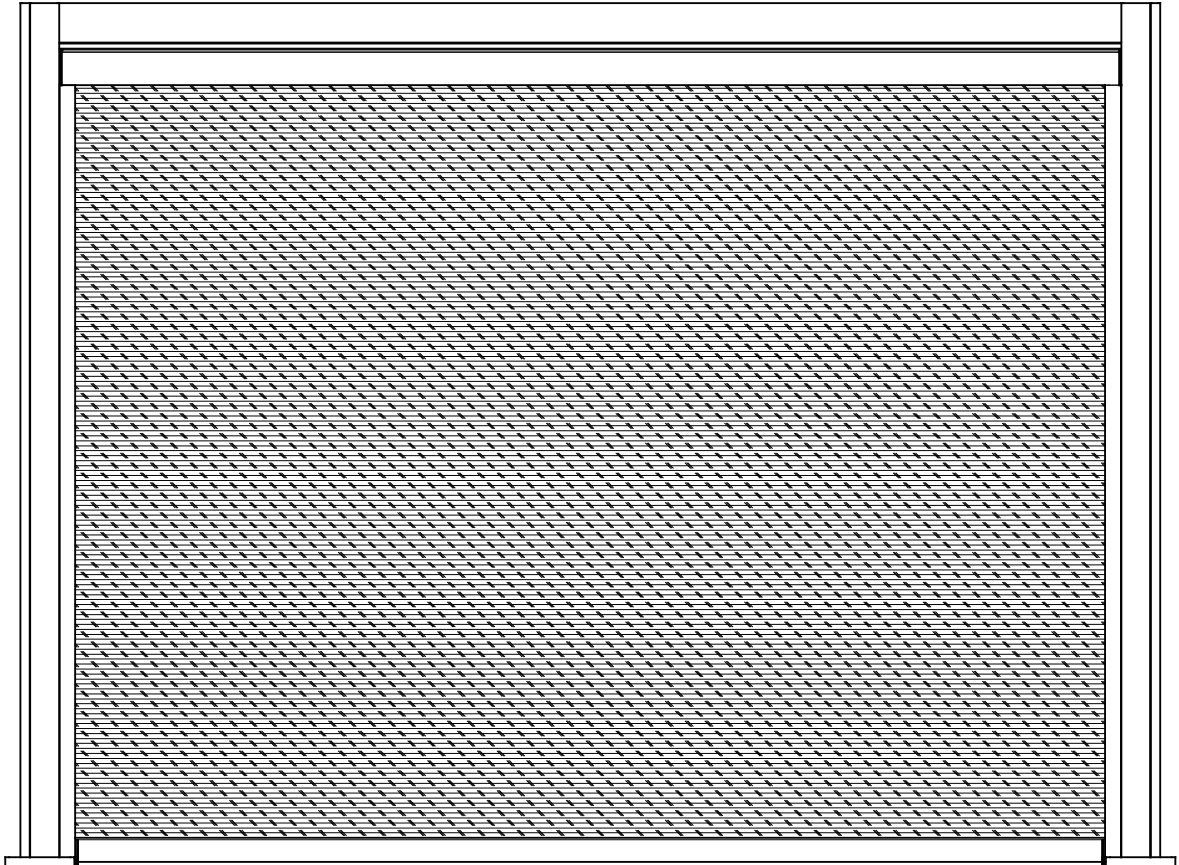
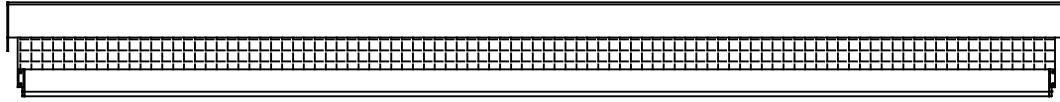


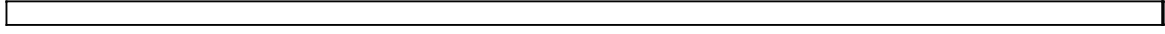


W H A T E V E R T H E W E A T H E R

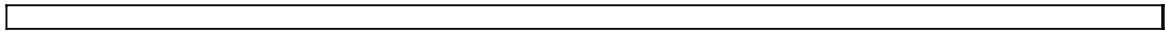




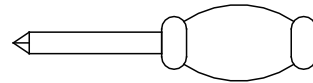
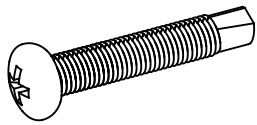
A	1
---	---



B	1
---	---

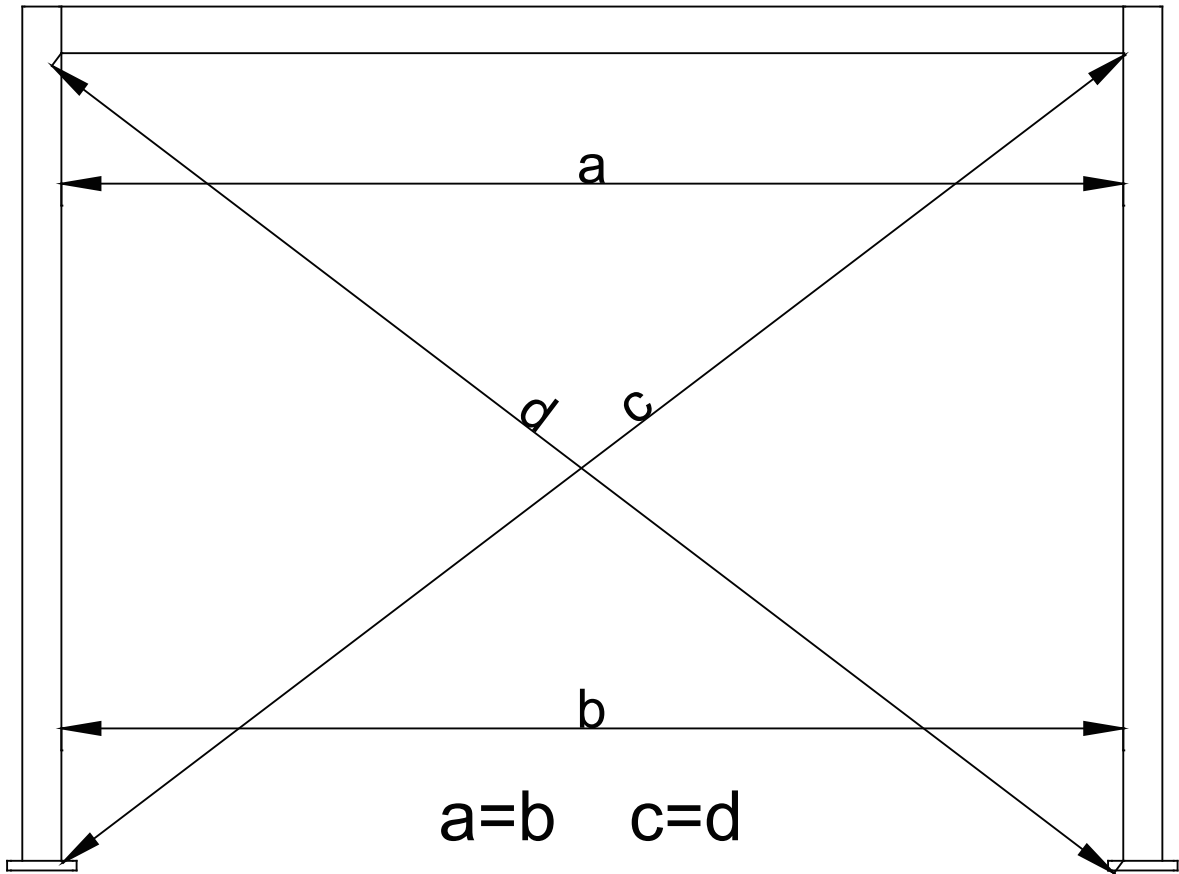


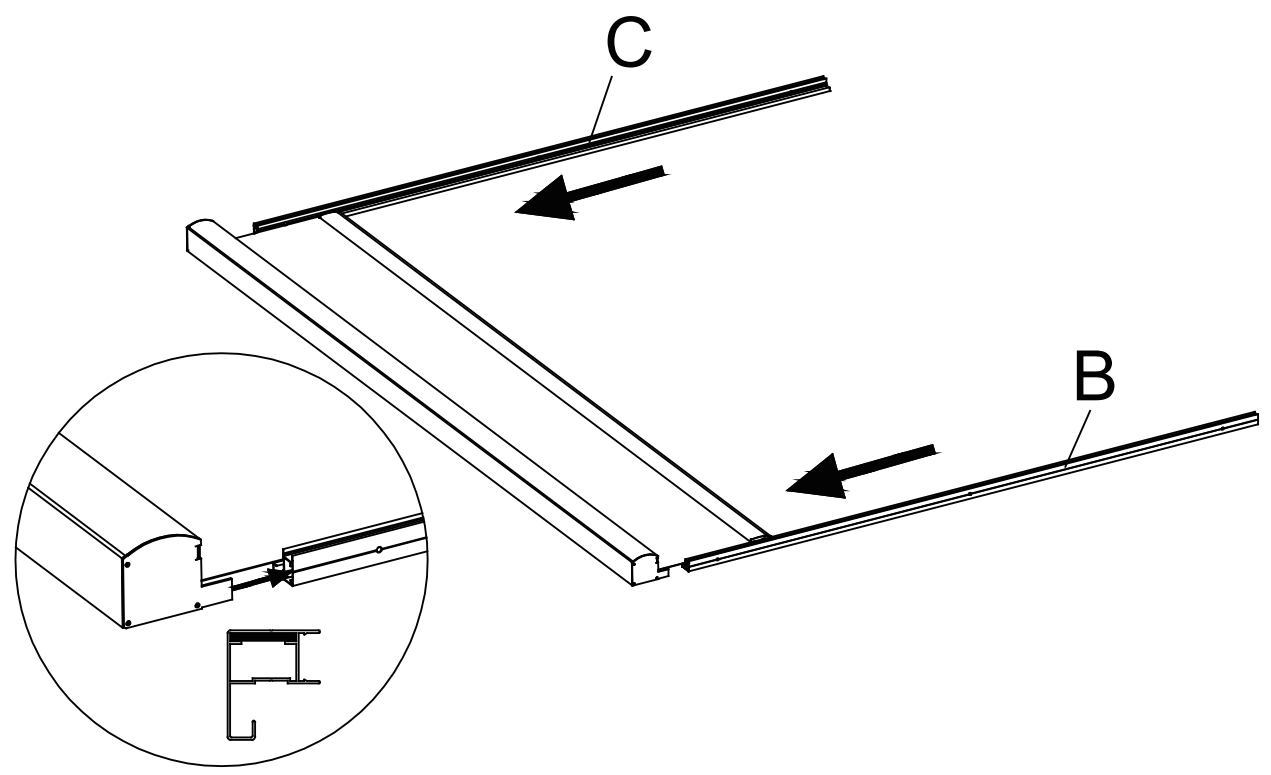
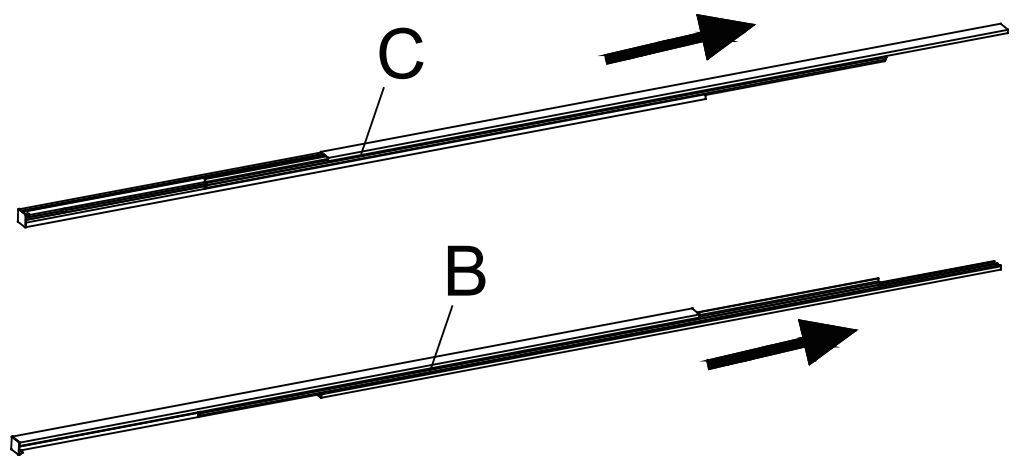
C	1
---	---

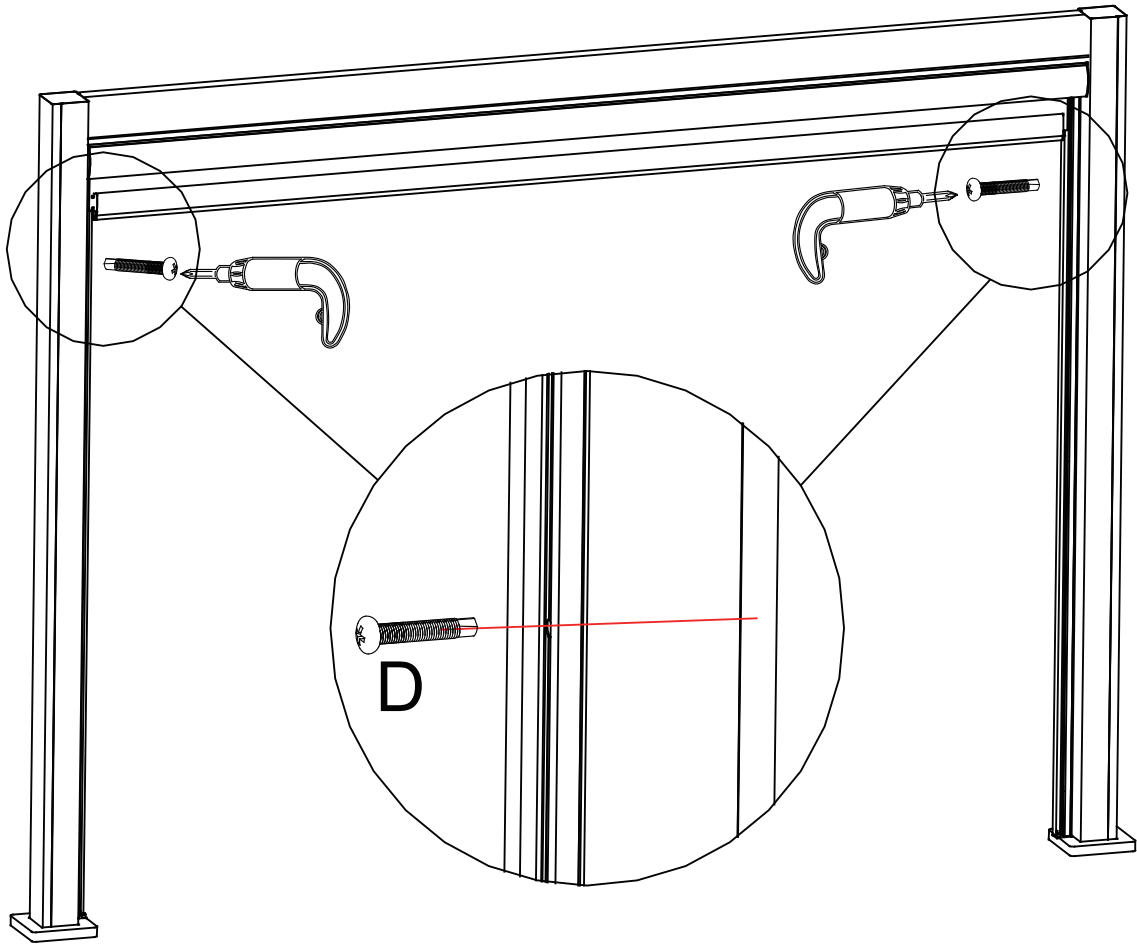


D	6
---	---

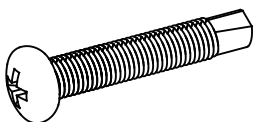
E	1
---	---





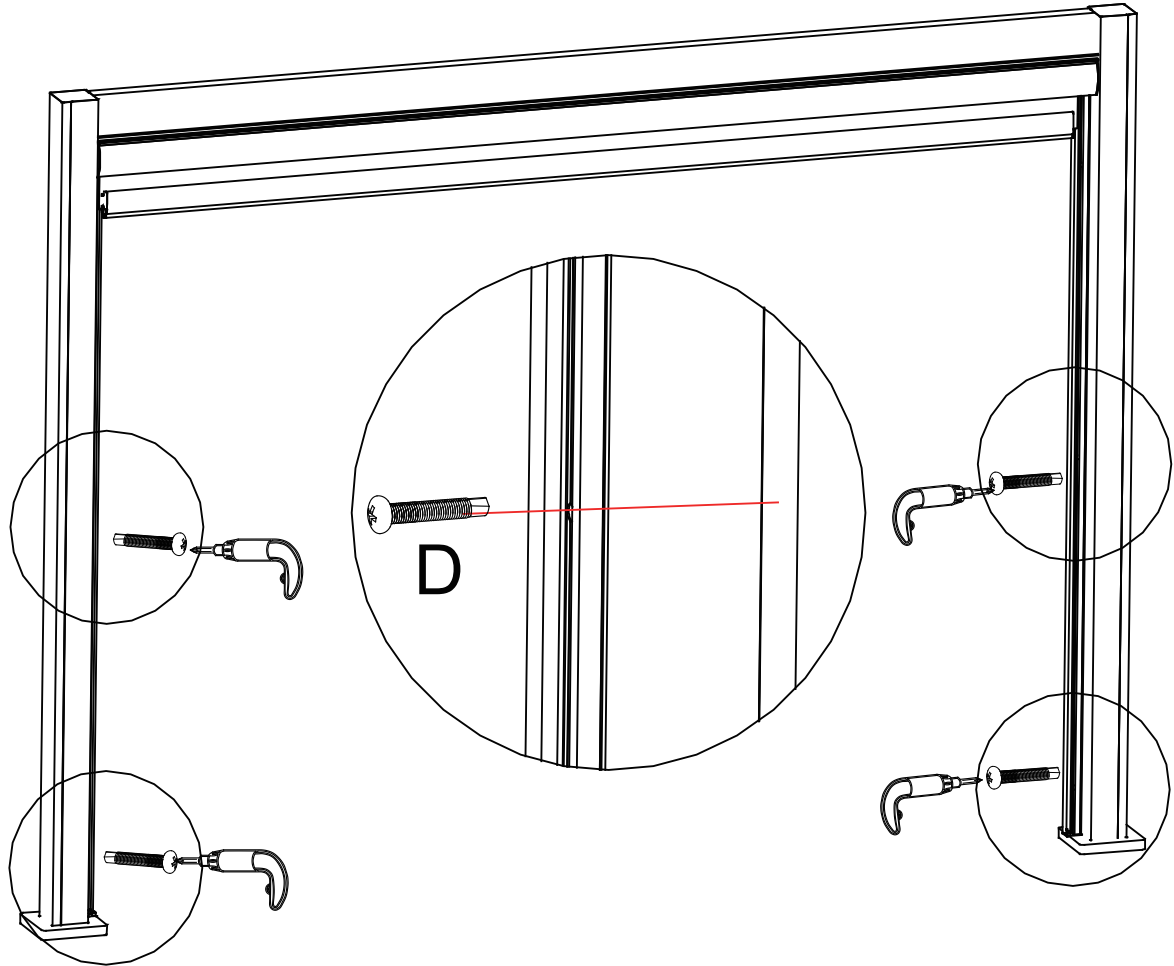


Electric drill provided by yourself

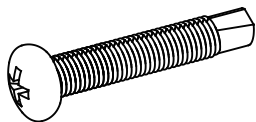


D

2



Electric drill provided by yourself



D

4

